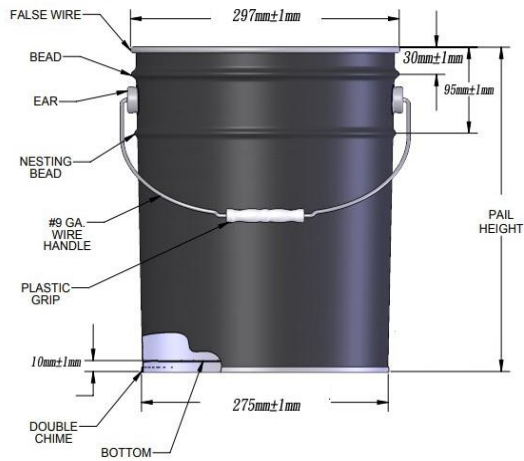




Yixing Feihong Steel Packaging Co.,Ltd
 Add:No.28 South Nancao Road Wanshi Town Yixing, Jiangsu ,China
 Web: www.fhpails.com

UN Flower Lid Pail

Picture



Specification

Thickness(mm)	Hardness	Material	Prime Tinplate
Body	0.38	T3 BA	Lid Flower Lid(NR Seal Strip)
End	0.38	T2.5/T3 BA	Handle Metal handle with black sleeve
Top	0.38	T2.5/T3 BA	Height 368±2mm

Surface Treatment

Body	Ext	White color(Lacquered)
	Int	Metal color
Top&End	Ext	Lacquered
	Int	Metal color
Welding line	Ext	protective coating(transparent epoxy resin)
	Int	No coating(as for solvent products)

Bottom sealing

